

# JAVELIN— CLOSE COMBAT MISSILE SYSTEM, MEDIUM



**March 2008**

**HEADQUARTERS, DEPARTMENT OF THE ARMY**

**DISTRIBUTION RESTRICTION:** Approved for public release; distribution is unlimited.

**This page intentionally left blank.**

# Javelin—Close Combat Missile System, Medium

## Contents

	Page
<b>PREFACE</b> .....	xii
<b>Chapter 1 INTRODUCTION</b> .....	<b>1-1</b>
Weapon System.....	1-1
Equipment Description and Data .....	1-3
Command Launch Unit .....	1-5
Round.....	1-10
Missile Operation .....	1-14
Capabilities and Features .....	1-17
<b>Chapter 2 CONTROLS AND OPERATION</b> .....	<b>2-1</b>
Controls and Indicators .....	2-1
Command Launch Unit Status Indicators .....	2-6
Command Launch Unit Display Indicators.....	2-9
Preparation for Firing .....	2-12
Firing Positions.....	2-16
Restore to Carrying Configuration .....	2-23
Carrying Techniques.....	2-27
<b>Chapter 3 TRAINING PROGRAM</b> .....	<b>3-1</b>
<b>Section I. General</b> .....	<b>3-1</b>
Training Strategy.....	3-1
Prerequisites for Additional Skill Identifier .....	3-2
<b>Section II. Train The Trainer</b> .....	<b>3-2</b>
Train-the-Trainer Program .....	3-2
Program Audience .....	3-3
Standards for Trainers .....	3-3
Resource Requirements .....	3-4
Training Support Packages.....	3-4
Training Devices .....	3-4

---

DISTRIBUTION RESTRICTION: Approved for public release; distribution is unlimited.

\* This publication supersedes FM 3-22.37, dated 23 January 2003.

	Basic Skills Trainer Setup Operations .....	3-6
	Field Tactical Trainer Setup Operations .....	3-8
	Gunner's Skill Test Execution .....	3-9
	<b>Section III. Train The Gunner .....</b>	<b>3-10</b>
	Conduct of Training.....	3-10
	Program Execution.....	3-10
	Centralized Training.....	3-11
	Training Objectives .....	3-11
	Practice Exercises.....	3-11
	Evaluation System .....	3-12
	Safety .....	3-13
	Gunner Qualification Program .....	3-13
	Sustainment Training.....	3-21
	Collective Training.....	3-21
<b>Chapter 4</b>	<b>TACTICAL CONSIDERATIONS .....</b>	<b>4-1</b>
	<b>Section I. Role and Fundamentals .....</b>	<b>4-1</b>
	Role.....	4-1
	Capabilities and Limitations .....	4-1
	Fundamentals of Employment .....	4-3
	<b>Section II. Defense .....</b>	<b>4-5</b>
	Defensive Operations .....	4-5
	Mechanized Company Defensive Employment .....	4-7
	Defense In Depth .....	4-8
	Delays and Withdrawals .....	4-8
	<b>Section III. Fighting Positions.....</b>	<b>4-10</b>
	Hasty Fighting Position .....	4-10
	Deliberate Fighting Position .....	4-12
	<b>Section IV. Other Tactical Operations.....</b>	<b>4-17</b>
	Offensive Operations .....	4-17
	Antiarmor Ambush Role .....	4-17
	Stability and Support Operations .....	4-18
	Urban Combat.....	4-18
	<b>Section V. Target Engagement Techniques .....</b>	<b>4-19</b>
	Target Detection.....	4-20
	Target Classification.....	4-23
	Target Recognition.....	4-24
	Target Identification.....	4-25
	Target Engagement .....	4-26
	Fire Plan.....	4-30
	Fire Control .....	4-30

<b>Chapter 5</b>	<b>BLOCK 1 IMPROVEMENTS .....</b>	<b>5-1</b>
	Introduction .....	5-1
	Javelin Weapon System (Block 1) .....	5-2
	Equipment Data and Description .....	5-6
	Command Launch Unit .....	5-7
	Command Launch Unit Status Indicators .....	5-24
	Command Launch Unit Display Indicators.....	5-35
	Round.....	5-36
	Missile Operation .....	5-41
	Round Controls .....	5-47
	Round Indicators.....	5-52
	Capabilities and Features .....	5-54
<b>Appendix A</b>	<b>SAFETY .....</b>	<b>A-1</b>
	Javelin Backblast Area.....	A-1
	Round Handling .....	A-2
	Firing From Enclosures.....	A-2
	Fighting Position.....	A-4
	Safety Precautions for the Multiple Integrated Laser Engagement System .....	A-4
	Safety Precautions for the Battery Coolant Unit .....	A-4
	Safety Precautions for Live Rounds.....	A-5
	Risk Management.....	A-5
	Accident Reporting.....	A-5
<b>Appendix B</b>	<b>STANDARD RANGE CARD .....</b>	<b>B-1</b>
	Description .....	B-1
	General Procedures.....	B-2
	Marginal Information .....	B-2
	Calculate .....	B-3
	Sector Sketch Section Development .....	B-4
	Data Section.....	B-8
	Field-Expedient Range Card.....	B-10
<b>Appendix C</b>	<b>IMMEDIATE DECONTAMINATION AND DESTRUCTION PROCEDURES....</b>	<b>C-1</b>
	Decontamination Principles .....	C-1
	Destruction Guidance .....	C-2
<b>Appendix D</b>	<b>WARNING INDICATORS AND MALFUNCTIONS .....</b>	<b>D-1</b>
	<b>Section I. Warning Indicators .....</b>	<b>D-1</b>
	Night Vision Sight Not Cool.....	D-1
	Night Vision Sight Focus Adjustment Limit.....	D-2
	Command Launch Unit Battery Low .....	D-3
	Battery Coolant Unit Low .....	D-4
	Missile Not Ready .....	D-5

	<b>Section II. Malfunction Indicators.....</b>	<b>D-7</b>
	Command Launch Unit Built-In Test Failure .....	D-7
	Missile Built-In Test Failure .....	D-9
	Misfire.....	D-10
	Hangfire.....	D-12
	General Practical Exercises for Warnings and Malfunctions.....	D-13
<b>Appendix E</b>	<b>FORWARD LOOKING INFRARED.....</b>	<b>E-1</b>
	Introduction .....	E-1
	Electromagnetic Spectrum.....	E-1
	Infrared Waves.....	E-2
	Infrared Systems .....	E-5
	$\Delta T$ .....	E-5
	Infrared Image Adjustment.....	E-9
	Factors that Affect Infrared Target Images and $\Delta T$ s.....	E-15
	Target Acquisition .....	E-22
	Target Classification.....	E-33
	Target Recognition.....	E-37
	<b>GLOSSARY .....</b>	<b>Glossary-1</b>
	<b>REFERENCES.....</b>	<b>References-1</b>
	<b>INDEX .....</b>	<b>Index-1</b>

## Figures

Figure 1-1. Javelin.....	1-1
Figure 1-2. Basic skills trainer .....	1-2
Figure 1-3. Field tactical trainer. ....	1-2
Figure 1-4. Missile simulation round. ....	1-3
Figure 1-5. Javelin backblast safety zones.....	1-5
Figure 1-6. Javelin components.....	1-5
Figure 1-7. Main housing and absorbers. ....	1-6
Figure 1-8. Handgrips. ....	1-6
Figure 1-9. Battery compartment. ....	1-7
Figure 1-10. Daysight.....	1-7
Figure 1-11. Night vision sight lens.....	1-8
Figure 1-12. Detector Dewar cooler.....	1-8
Figure 1-13. Status indicators. ....	1-9
Figure 1-14. Eyepiece.....	1-9
Figure 1-15. Test connector, round interface connector, and humidity indicator.....	1-10
Figure 1-16. Launch tube assembly, end caps, and carry handle.....	1-11
Figure 1-17. Shoulder strap and pad. ....	1-12

Figure 1-18. Command launch unit interface connector..... 1-12

Figure 1-19. Battery coolant unit..... 1-13

Figure 1-20. Javelin missile. .... 1-13

Figure 1-21. Missile guidance section..... 1-14

Figure 1-22. Mid-body section. .... 1-15

Figure 1-23. Missile warhead..... 1-15

Figure 1-24. Missile propulsion section..... 1-16

Figure 1-25. Control actuator section..... 1-17

Figure 1-26. Top attack mode..... 1-17

Figure 1-27. Top attack flight path. .... 1-18

Figure 1-28. Direct attack mode..... 1-18

Figure 1-29. Direct attack flight path..... 1-19

Figure 2-1. Diopter adjust ring. .... 2-1

Figure 2-2. Power switch positions. .... 2-2

Figure 2-3. Power switch—TEST position. .... 2-2

Figure 2-4. Left handgrip controls..... 2-3

Figure 2-5. Left handgrip controls—seeker trigger. .... 2-4

Figure 2-6. Right handgrip controls..... 2-5

Figure 2-7. Command launch unit display indicators..... 2-6

Figure 2-8. Status indicators—green. .... 2-7

Figure 2-9. Status indicators—amber. .... 2-8

Figure 2-10. Status indicator—red. .... 2-9

Figure 2-11. Day field-of-view stadia. .... 2-9

Figure 2-12. Night vision sight stadia comparisons. .... 2-10

Figure 2-13. Reticle area versus field-of-view change..... 2-10

Figure 2-14. Track gates..... 2-11

Figure 2-15. Crosshairs. .... 2-11

Figure 2-16. Battery compartment. .... 2-12

Figure 2-17. Connect the round to the command launch unit. .... 2-13

Figure 2-18. Connect the command launch unit to the round. .... 2-13

Figure 2-19. Connect the command launch unit to the round. .... 2-14

Figure 2-20. Power switch. .... 2-14

Figure 2-21. Remove the forward end cap. .... 2-15

Figure 2-22. Javelin sitting firing position..... 2-16

Figure 2-23. Javelin kneeling firing position..... 2-17

Figure 2-24. Gunner sights along the top of the round for obstructions. .... 2-17

Figure 2-25. Standing supported firing position. .... 2-18

Figure 2-26. Preparing to connect the command launch unit..... 2-19

Figure 2-27. Remove the forward end cap. .... 2-20

Figure 2-28. Reaching for forward end cap. .... 2-21

Figure 2-29. Placing end cap. .... 2-21

Figure 2-30. Placement of forward end cap in prone position. .... 2-22

Figure 2-31. Prone supported firing position.....	2-22
Figure 2-32. Correct prone body position. ....	2-23
Figure 2-33. Power switch OFF position.....	2-24
Figure 2-34. Replace forward end cap.....	2-25
Figure 2-35. Forward end cap locking pin.....	2-25
Figure 2-36. Disconnect the command launch unit from the round.....	2-26
Figure 2-37. Old battery coolant unit.....	2-27
Figure 2-38. New battery coolant unit.....	2-27
Figure 2-39. Tactical carry technique.....	2-28
Figure 2-40. Short-distance carry techniques.....	2-29
Figure 2-41. Long-distance carry technique.....	2-29
Figure 2-42. Secure the round to the rucksack.....	2-30
Figure 3-1. Basic skills trainer.....	3-4
Figure 3-2. Field tactical trainer.....	3-5
Figure 4-1. Mutual supporting fire.....	4-3
Figure 4-2. Overlapping sectors of fire.....	4-4
Figure 4-3. Javelins positioned in depth.....	4-5
Figure 4-4. Primary, alternate, and supplementary positions.....	4-7
Figure 4-5. Javelin-equipped mechanized company defense.....	4-8
Figure 4-6. Withdrawal under enemy pressure.....	4-9
Figure 4-7. Withdrawal not under pressure.....	4-9
Figure 4-8. Hasty fighting position.....	4-10
Figure 4-9. Hasty fighting position.....	4-11
Figure 4-10. Improved hasty fighting position.....	4-11
Figure 4-11. Expanded hasty fighting position.....	4-11
Figure 4-12. Deliberate fighting position.....	4-13
Figure 4-13. Completed deliberate fighting position.....	4-14
Figure 4-14. Sketch of the front view of a Javelin defensive fighting position.....	4-15
Figure 4-15. Front view of a Javelin defensive fighting position.....	4-15
Figure 4-16. Side view of a Javelin defensive fighting position.....	4-16
Figure 4-17. Top view of a Javelin defensive fighting position.....	4-16
Figure 4-18. Javelin supporting offensive operations.....	4-17
Figure 4-19. Antiarmor ambush.....	4-18
Figure 4-20. Fields of view.....	4-20
Figure 4-21. Slow/rapid scan.....	4-21
Figure 4-22. Detailed search.....	4-22
Figure 4-23. Stationary targets.....	4-23
Figure 4-24. Target classification features.....	4-24
Figure 4-25. Target classification.....	4-25
Figure 4-26. Position track gates on target.....	4-27
Figure 4-27. Track gate adjustment for helicopters—front.....	4-27
Figure 4-28. Track gate adjustment for helicopters—flank.....	4-28



Figure 4-29. Track gate adjustment for bunker..... 4-28

Figure 4-30. Sector of fire. .... 4-30

Figure 4-31. Fire patterns. .... 4-32

Figure 5-1. Javelin weapon system. .... 5-1

Figure 5-2. Javelin command launch unit. .... 5-2

Figure 5-3. Javelin command launch unit and accessories..... 5-2

Figure 5-4. Javelin missile. .... 5-3

Figure 5-5. Basic skills trainer..... 5-4

Figure 5-6. Field tactical trainer. .... 5-5

Figure 5-7. Missile simulation round..... 5-5

Figure 5-8. Main housing. .... 5-8

Figure 5-9. Battery compartment. .... 5-9

Figure 5-10. Test connector, round interface connector, and desiccant plug. .... 5-10

Figure 5-11. Video port. .... 5-11

Figure 5-12. Elapsed time meter..... 5-11

Figure 5-13. Daysight..... 5-12

Figure 5-14. Daysight optical path. .... 5-12

Figure 5-15. Example daysight images—clear and rainy. .... 5-13

Figure 5-16. Night vision sight. .... 5-14

Figure 5-17. Night vision sight fields of view..... 5-14

Figure 5-18. Detector dewar cooler. .... 5-15

Figure 5-19. Flipper mirror positions..... 5-15

Figure 5-20. Night vision sight status display. .... 5-16

Figure 5-21. Eyepiece..... 5-16

Figure 5-22. Shock absorbers..... 5-17

Figure 5-23. Handgrips. .... 5-18

Figure 5-24. Diopter adjust ring. .... 5-19

Figure 5-25. Power switch. .... 5-19

Figure 5-26. Power switch in the TEST position..... 5-20

Figure 5-27. Left handgrip controls..... 5-21

Figure 5-28. Filter, Focus, and Sight Select switches..... 5-22

Figure 5-29. Seeker trigger..... 5-22

Figure 5-30. Right handgrip controls..... 5-23

Figure 5-31. Fire trigger. .... 5-24

Figure 5-32. Status indicators. .... 5-25

Figure 5-33. Light-emitting diode indicators..... 5-26

Figure 5-34. Video display status indicators. .... 5-27

Figure 5-35. Video display status indicators in the command launch unit options section. .... 5-28

Figure 5-36. Video display status indicators in the command launch unit status section. .... 5-29

Figure 5-37. Video display status indicators in the missile status section..... 5-30

Figure 5-38. Video display indicators in the command launch unit menu section.....	5-32
Figure 5-39. Text message windows.....	5-34
Figure 5-40. Reticule lines.....	5-35
Figure 5-41. Reticule area versus field-of-view change.....	5-36
Figure 5-42. Launch tube assembly.....	5-37
Figure 5-43. Command launch unit mounting brackets.....	5-38
Figure 5-44. Battery coolant unit.....	5-40
Figure 5-45. Javelin missile.....	5-41
Figure 5-46. Seeker field-of-view.....	5-42
Figure 5-47. Guidance section.....	5-44
Figure 5-48. Warhead section.....	5-44
Figure 5-49. Mid-body section.....	5-45
Figure 5-50. Propulsion section.....	5-46
Figure 5-51. Control actuator section.....	5-47
Figure 5-52. Seeker trigger.....	5-48
Figure 5-53. Sight Select switch.....	5-48
Figure 5-54. Right handgrip controls.....	5-49
Figure 5-55. Attack Select switch.....	5-49
Figure 5-56. Missile mode indicators.....	5-50
Figure 5-57. Gate Adjust/Contrast and Brightness switch.....	5-50
Figure 5-58. Track gate adjustment, down/up.....	5-51
Figure 5-59. Track gate adjustment, left/right.....	5-51
Figure 5-60. Fire trigger.....	5-51
Figure 5-61. Manual release button.....	5-52
Figure 5-62. Battery coolant unit status indicator.....	5-53
Figure 5-63. Humidity indicator.....	5-53
Figure 5-64. Flashing track gates.....	5-54
Figure 5-65. Solid track gates and crosshairs.....	5-54
Figure 5-66. Top attack mode.....	5-55
Figure 5-67. Top attack flight paths.....	5-55
Figure 5-68. Direct attack mode.....	5-56
Figure 5-69. Direct attack flight paths.....	5-56
Figure A-1. Javelin backblast area and surface danger zone.....	A-3
Figure A-2. Laser-safe eye distance.....	A-4
Figure A-3. Javelin weapon system batteries.....	A-5
Figure B-1. Example of DA Form 5517-R.....	B-1
Figure B-2. Gunner's sector of fire.....	B-2
Figure B-3. Marginal information.....	B-3
Figure B-4. Determination of distance between circles.....	B-3
Figure B-5. Sector sketch.....	B-4
Figure B-6. Sector of fire and maximum engagement line.....	B-5
Figure B-7. Avenues of approach.....	B-6

Figure B-8. Target reference points .....B-6

Figure B-9. Dead space. ....B-7

Figure B-10. Gunner’s reference point and firing.....B-7

Figure B-11. DA Form 5517-R —data section.....B-8

Figure B-12. Example completed DA Form 5517-R. ....B-9

Figure B-13. Terrain presentation..... B-10

Figure B-14. Field-expedient range card showing the terrain..... B-10

Figure D-1. Amber NVS NOT COOL indicator—on..... D-1

Figure D-2. WFOV or NFOV indicator—flashing. .... D-2

Figure D-3. CLU BATTERY indicator—on..... D-3

Figure D-4. BCU LOW indicator—flashing/on. .... D-5

Figure D-5. NFOV to seeker FOV sequence..... D-6

Figure D-6. MISSILE NOT READY indicator..... D-6

Figure D-7. CLU BIT FAILURE indicator. .... D-8

Figure D-8. MISSILE BIT FAILURE indicator—solid on. .... D-9

Figure D-9. Misfire—with and without warning indicators..... D-10

Figure D-10. HANGFIRE indicator..... D-12

Figure E-1. Electromagnetic spectrum.....E-1

Figure E-2. Infrared band.....E-2

Figure E-3. Heat caused by combustion.....E-2

Figure E-4. Heat caused by friction.....E-3

Figure E-5. Infrared affected by color. ....E-4

Figure E-6. Smooth versus rough surface texture.....E-5

Figure E-7. Display of infrared levels. ....E-6

Figure E-8.  $\Delta T$ s.....E-6

Figure E-9. Measurable  $\Delta T$ .....E-7

Figure E-10. Temperatures of objects during 24-hour period.....E-7

Figure E-11.  $\Delta T$  changes from day to night.....E-8

Figure E-12. Crossover periods.....E-8

Figure E-13. Focus adjustments.....E-9

Figure E-14. Focus on far tree line..... E-10

Figure E-15. Slow focus adjustment..... E-10

Figure E-16. Fast focus adjustment..... E-11

Figure E-17. Focus direction..... E-11

Figure E-18. Night vision sight initial contrast and brightness baseline..... E-12

Figure E-19. Return to baseline from an extreme contrast/brightness adjustment. .... E-12

Figure E-20. Properly adjusted contrast and brightness..... E-13

Figure E-21. High versus good contrast adjustments..... E-14

Figure E-22. Low versus good contrast adjustments..... E-14

Figure E-23. High versus good brightness adjustments..... E-15

Figure E-24. Low versus good contrast adjustments..... E-15

Figure E-25. Day vision sight versus night vision sight operation during high levels of obscuration..... E-16

Figure E-26. Infrared clutter—background  $\Delta T$  pattern matches target  $\Delta T$  pattern. .... E-17

Figure E-27. Defeating clutter caused by reflected infrared. .... E-18

Figure E-28. Effects of man-made clutter on night vision sight target scene. .... E-19

Figure E-29. Counteracting man-made clutter Step 1—adjust brightness. .... E-19

Figure E-30. Counteracting man-made clutter Step 2—adjust contrast. .... E-20

Figure E-31. Infrared crossover times..... E-20

Figure E-32. Infrared crossover effects..... E-21

Figure E-33. Road temperature increases due to friction from vehicle tracks..... E-21

Figure E-34. Effects of range on target details. .... E-22

Figure E-35. Target acquisition steps. .... E-22

Figure E-36. Target engagement field-of-view sequence..... E-23

Figure E-37. Day field-of-view image and area of coverage..... E-23

Figure E-38. Wide field-of-view image and area of coverage..... E-24

Figure E-39. Narrow field-of-view image and area of coverage. .... E-24

Figure E-40. Seeker field-of-view image and area of coverage..... E-25

Figure E-41. Target acquisition—detection..... E-25

Figure E-42. Rapid/slow scan pattern..... E-26

Figure E-43. Detailed search. .... E-27

Figure E-44. Dust cloud from moving vehicle. .... E-27

Figure E-45. Image adjustment for defensive position. .... E-28

Figure E-46. Hot and cold stationary targets. .... E-28

Figure E-47. Vehicle exhaust..... E-29

Figure E-48. Dismounted troops as infrared source..... E-29

Figure E-49. Image adjustment for detecting hot stationary targets..... E-30

Figure E-50. Track and hull signatures. .... E-30

Figure E-51. Engine compartment and gun tube/barrel..... E-31

Figure E-52. Backlighting..... E-31

Figure E-53. Image adjustment for detecting cold, stationary targets. .... E-32

Figure E-54. Tank in defilade..... E-33

Figure E-55. Target acquisition process—classification step. .... E-33

Figure E-56. Classification features—suspension system..... E-34

Figure E-57. Classification features—engine compartment location..... E-34

Figure E-58. Classification features—gun tube/barrel. .... E-35

Figure E-59. Image adjustments for target classification and recognition..... E-35

Figure E-60. Classification and recognition features of flank and frontal targets. .... E-36

Figure E-61. Target acquisition process—recognition step..... E-37

Figure E-62. Target recognition features. .... E-37

Figure E-62. Target recognition features (continued)..... E-38

## Tables

Table 1-1. Javelin capabilities and features.....	1-3
Table 1-2. Physical characteristics of the command launch unit.....	1-4
Table 1-3. Physical characteristics of the round.....	1-4
Table 3-1. Javelin 10-day (80-hour) training schedule.....	3-10
Table 3-2. Sustainment training matrix.....	3-21
Table 3-3. Collective training tasks.....	3-22
Table 4-1. Personnel duties.....	4-6
Table 4-2. Target classification features.....	4-25
Table 4-3. Engagement priority.....	4-31
Table 4-4. Fire commands and examples.....	4-32
Table 5-1. Javelin missile and weapon system capabilities and features.....	5-6
Table 5-2. Physical characteristics of the command launch unit.....	5-6
Table 5-3. Physical characteristics of the round.....	5-7
Table C-1. Javelin immediate decontamination procedures.....	C-1
Table D-1. Gunner corrective actions for NVS NOT COOL indicator.....	D-2
Table D-2. Gunner corrective action for flashing WFOV and NFOV indicators.....	D-3
Table D-3. Gunner corrective action for CLU BATTERY LOW indicator.....	D-4
Table D-4. Gunner corrective action for BCU LOW indicator.....	D-5
Table D-5. Gunner corrective action for MISSILE NOT READY indicator.....	D-7
Table D-6. Gunner corrective action for CLU BIT FAILURE indicator.....	D-9
Table D-7. Gunner corrective action for MISSILE BIT FAILURE indicator.....	D-10
Table D-8. Gunner corrective action for MISSILE MISFIRE indicator.....	D-11
Table D-9. Gunner corrective action for HANGFIRE indicator.....	D-13
Table E-1. Target recognition features.....	E-38

## PREFACE

This publication provides technical information, training techniques, and guidance on the current Javelin weapon system and Block 1 improvements. The intended users include unit leaders, trainers, and designated gunners. The users will find this information invaluable in their efforts to successfully integrate this weapon system into their combat operations.

This publication applies to the Active Army, the Army National Guard (ARNG)/National Guard of the United States (ARNGUS), and the US Army Reserve (USAR) unless otherwise stated.

Terms that have joint or Army definitions are identified in both the glossary and the text. Terms for which FM 3-22.37 is the proponent FM are indicated with an asterisk in the glossary.

Uniforms depicted in this manual were drawn without camouflage for clarity of the illustration. Unless this publication states otherwise, masculine nouns and pronouns refer to both men and women.

The proponent for this publication is the US Army Training and Doctrine Command. The preparing agency is the United States Army Infantry School (USAIS). You may send comments and recommendations by any means (US mail, e-mail, fax, or telephone) as long as you use DA Form 2028 (Recommended Changes to Publications and Blank Forms) or follow its format. Point of contact information is as follows:

E-mail: benn.29IN.229-S3-DOC-LIT@conus.army.mil  
Phone: Commercial: 706-545-8623  
DSN: 835-8623  
Fax: Commercial: 706-545-8600  
DSN: 835-8600  
US Mail: Commandant, USAIS  
ATTN: ATSH-INB  
6650 Wilkin Drive, Bldg 74, Rm 102  
Fort Benning, GA 31905-5593

## Chapter 1

# INTRODUCTION

The Javelin surface-attack guided missile and launcher is a fire-and-forget, man-portable medium close combat missile system consisting of a command launch unit (CLU) and a round. The Javelin is operated by an individual Soldier or in crews of two or three. Soldiers can use the Javelin during the day, at night, and during limited visibility conditions.

## WEAPON SYSTEM

1-1. The Javelin weapon system consists of a Javelin, a basic skills trainer (BST), a field tactical trainer (FTT), and a missile simulation round (MSR).

## JAVELIN

1-2. The Javelin is a fire-and-forget, shoulder-fired weapon that consists of a reusable M98A1 CLU and a round. The CLU houses the daysight, night vision sight (NVS), controls, and indicators. The round consists of the missile, the launch tube assembly (LTA) (Figure 1-1), and the battery coolant unit (BCU). The missile contains the guidance section, mid-body section, warhead section, propulsion section, and control actuator section. The LTA serves as the launch platform and carrying container for the missile.

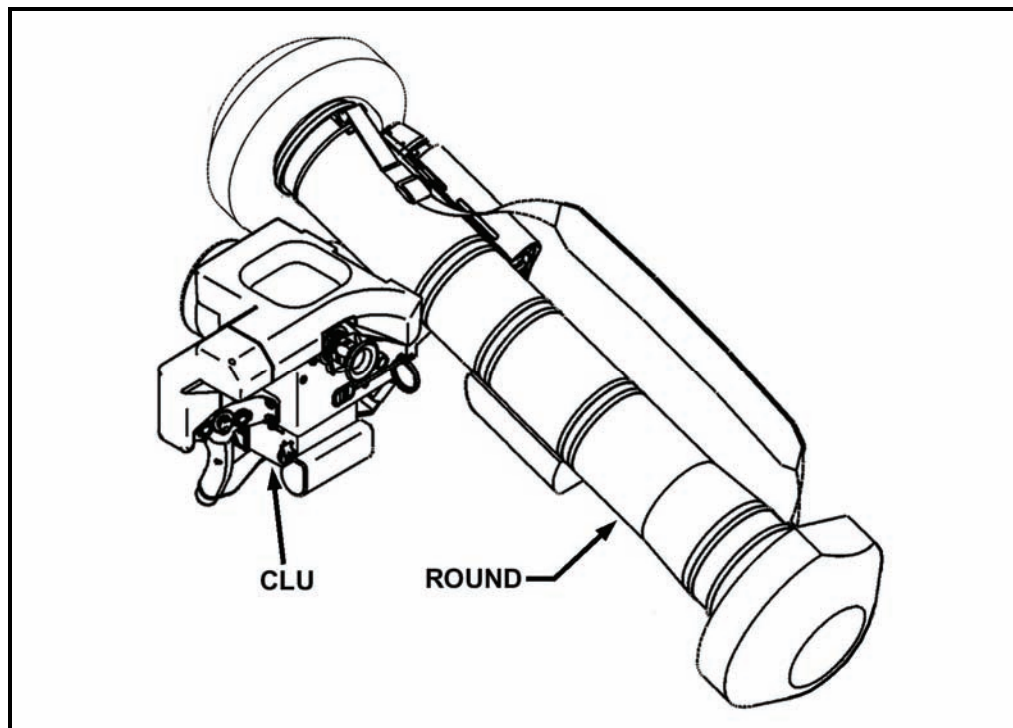


Figure 1-1. Javelin.

### BASIC SKILLS TRAINER

1-3. The BST is an indoor training device that consists of a Soldier station and an instructor station (Figure 1-2). The Soldier station consists of a simulated command launch unit (SCLU) and an MSR. The instructor station has a desktop computer, a monitor, a keyboard, a mouse, an interconnect cable, and a surge suppressor. BST training exercises use real terrain models, actual visible and infrared (IR) imagery, and matching three-dimensional target models for natural target movements. The gunner sees a realistic simulated battlefield environment.

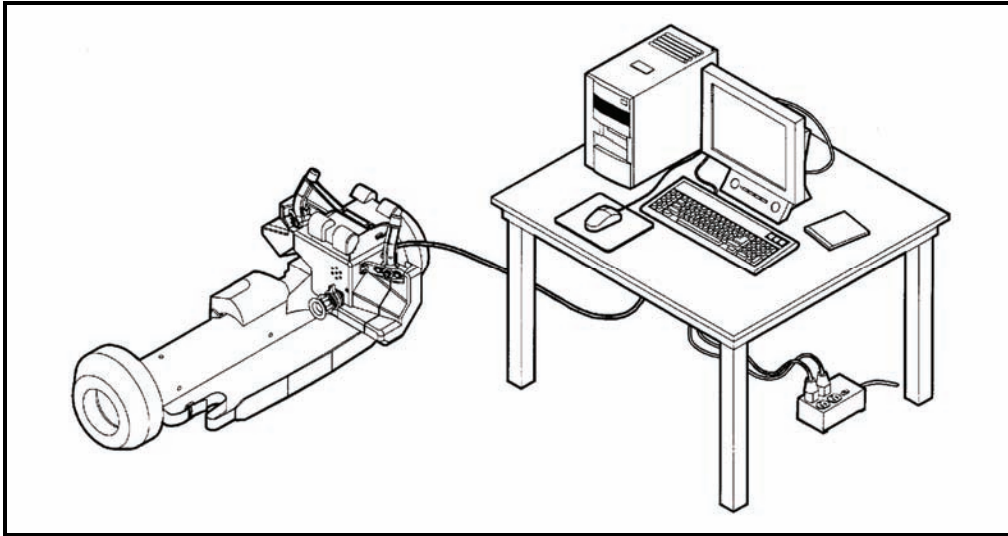


Figure 1-2. Basic skills trainer.

### FIELD TACTICAL TRAINER

1-4. The FTT is an outdoor force-on-force trainer used in conjunction with a tactical CLU and a simulated round. The FTT consists of an instructor station, which is used to monitor the student (Figure 1-3). The simulated round is equipped with a multiple integrated laser engagement system (MILES).

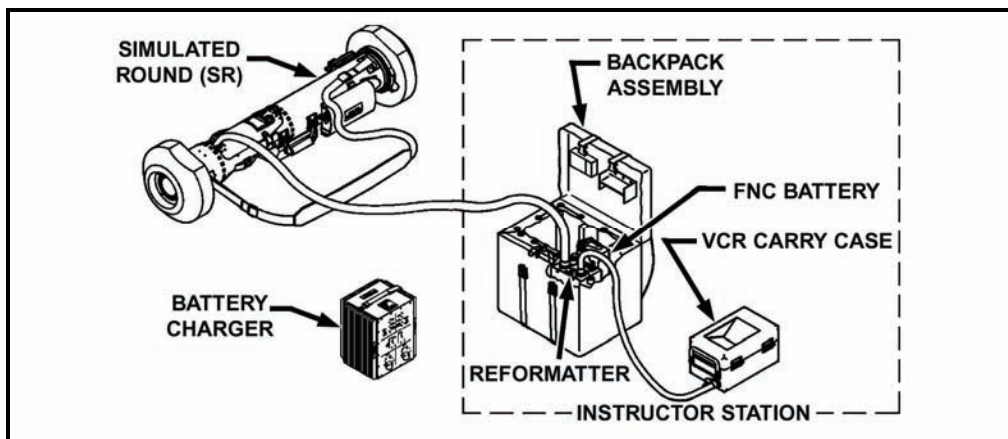


Figure 1-3. Field tactical trainer.