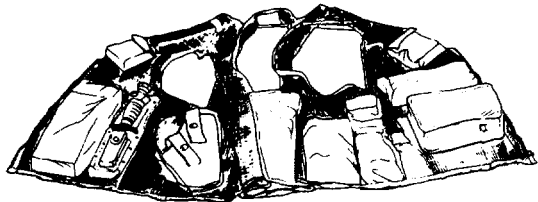


This copy is a reprint which includes
pages from Changes 1 thru 3

TM 55-1680-351-10

DEPARTMENT OF THE ARMY
TECHNICAL MANUAL

OPERATOR'S MANUAL
FOR



SRU - 21/P

Army Vest, Survival

(NSN 8465-00-177-4819) (Large)

(NSN 8465-01-174-2355) (Small)

This manual supersedes TM55-8465-215-10, 9June 1970

"Approved for public release;
distribution is unlimited."

HEADQUARTERS
DEPARTMENT OF THE ARMY
22 APRIL 1987

**TECHNICAL MANUAL
HEADQUARTERS
DEPARTMENT OF THE ARMY
WASHINGTON, D.C.**

**Operator's Manual For
SRU-21/P
ARMY SURVIVAL VEST**

**(NSN 8465-00-177-4819) (Large)
(NSN 8465-01-174-2355) (Small)**

**REPORTING ERRORS AND
RECOMMENDING IMPROVEMENTS**

You can help improve this manual. If you find any mistakes, or if you know of a way to improve the procedures, please let us know. Mail your letter or DA Form 2028 (Recommended Changes to Publications) direct to Commander, US Army Aviation Systems Command, ATTN: AMSAV-MC, 4300 Goodfellow Blvd., St. Louis, Mo. 63120-1798. A reply will be furnished to you.

		Paragraph	Page
CHAPTER	1. INTRODUCTION		
Section	I. General		
	Scope	1	1-1
	Reporting of equipment manual improvements	2	1-2
Section	II. Description and Data		
	Description	3	1-2
	Tabulated data	4	1-3
CHAPTER	2. OPERATING INSTRUCTIONS		
Section	I. Preparation		
	Donning and fitting of vest	5	2-1
	Alteration	6	2-3
Section	II. Deleted		
Section	III. Use of Components		
	General	10	2-6
	Light, marker, distress SDU-5E, w/flash guard AGR-FGIB	11	2-7
	Signal kit, foliage penetrating	12	2-8
	Mirror, mark 3, type 1 emergency signaling	13	2-9
	Receiver-Transmitters, Radio, ARG-RT-10, and AN/PRC-90.....	14	2-11
	Revolver .38 caliber, special.....	15	2-12
	Tourniquet.....	16	2-12
	Compass, lensatic	17	2-12

		Paragraph	Page
	Survival kit, ind., tropical	18	2-13
	DELETED		
	Knife, pocket	20	2-15
	Bag, water, size B	21	2-15
	DELETED		
	Blanket, combat casualty	23	2-16
	Whistle, ball, plastic	24	2-17
	Fire starter, magnesium bar	25	2-17
	Assembly instruction sheet	26	2-17
	TM 5598465-351-10.....	27	2-18
	Suggested Publications.....	28	2-18
CHAPTER	3. RADIO SET AN/PRC-90		
Section	I. Controls and Instruments		
	Equipment Damage and Warnings	29	3-1
	Operator Controls	30	3-2
Section	II. Operation Under Usual Conditions		
	Preflight Procedures	31	3-7
	Modes of Operation	32	3-9
	Operational Siting and Operating Procedures	33	3-10
	Stopping Procedure	34	3-17
	Operating and Storage Limitations	35	3-18
Section	III. Operation Under Unusual Conditions		
	Operation in Desert and Tropical Areas	36	3-20
	Operation in Maritime, High Altitude, or Rainy Areas	37	3-21
	Recognition and Identifica- tion of Jamming.....	38	3-21
APPENDIX A.	REFERENCES		A-1

CHAPTER 1
INTRODUCTION

Section I. GENERAL

1. Scope

This manual, issued expressly for the aircrewmember, is the official document for the vest survival kit used with Army aircraft. The purpose of this manual is to supply the aircrewmember with the latest information on kit contents and instructions on their intended uses. Packing instructions, drawing, and this manual are stored in right, inside pocket of vest.

2. Reporting of Equipment Manual Improvements

Reporting of errors, omissions, and recommendations for improving this publication by the individual user is encouraged. Reports should be submitted on DA Form 2028 (Recommended Changes to Publications) and forwarded direct to Commanding General, U.S. Army Aviation Systems Command, (AVSCOM), ATTN : AMSAV-QRF, 4300 Goodfellow Blvd., St. Louis, MO 63120-1798.

Section II. DESCRIPTION AND DATA

3. Description

This vest survival kit is manufactured from raschel knit nylon cloth with a lacing adjustment at center back and a slide fastener at center front. Storage pockets are sewed to vest for storage of survival components. Vest can be worn with body armor, personnel parachute, and underarm life preservers. Proper donning of the vest with the above equipment is illustrated.

Change 2
1-2

4. Tabulated Data

SRU-21/P Vest Kit.

(1) Weight	7 1/2lb
(2) Dimensions	7 x 7 x 12 in. (folded)

NOTE

Holster, revolver is optional. If the vest is to be equipped with holster, revolver, it should be fitted to individual prior to installing on vest. Knife, hunting sheathed is optional item. If installed, must be positioned as shown.

Change 2

1-3

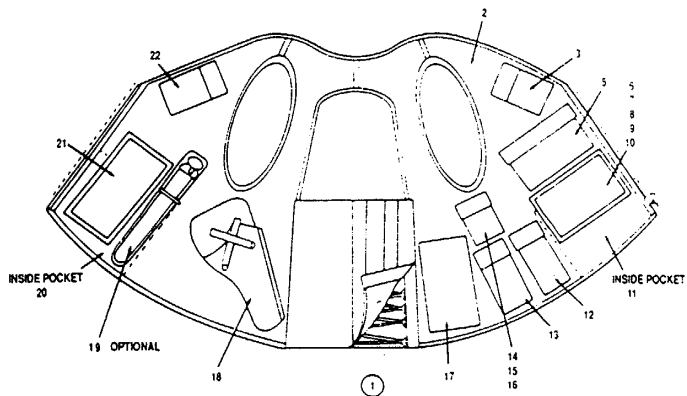


Figure 1. SRU-21 P with Components

Change 2
1-4