

TECHNICAL MANUAL

OPERATOR'S MANUAL

FOR

CRANE, WHEEL MOUNTED, HYDRAULIC, LIGHT, 7 1/2 TON (ROUGH TERRAIN CRANE)

MODEL LRT 110

CONSISTS OF:

**Type I General Purpose
(3810-01-165-0646)**

**Type II Airborne/Airmobile
(3810-01-165-0647)**

This technical manual is an authentication of the manufacturers commercial literature and does not conform with the format and content specified in AR 25-30, Military Publications. This technical manual does, however, contain available information that is essential to the operation and maintenance of the equipment.

Distribution Restriction: Approved for public release; distribution is unlimited.

HEADQUARTERS, DEPARTMENT OF THE ARMY

9 AUGUST 1991

OPERATOR'S MANUAL
FOR
CRANE, WHEEL MOUNTED,
HYDRAULIC, LIGHT, 7 1/2 TON
(ROUGH TERRAIN)

MODEL LRT 110

CONSISTS OF

Type I General Purpose
(NSN 3810-01-165-0646)
Type II Airborne/Airmobile
(3810-01-165-0647)

REPORTING OF ERRORS AND RECOMMENDING IMPROVEMENTS

You can help improve this publication. If you find any mistakes or if you know of a way to improve the procedures, please let us know. Submit your DA Form 2028-2 (Recommended Changes to Equipment Technical Publications), through the internet, on the Army Electronic Product Support (AEPS) website. The internet address is <http://aeps.ria.army.mil>. If you need a password, scroll down and click on "ACCESS REQUEST FORM". The DA Form 2028 is located in the ONLINE FORMS PROCESSING section of the AEPS. Fill out the form and click on SUBMIT. Using this form on the AEPS will enable us to respond quicker to your comments and better manage the DA Form 2028 program. You may also mail, fax or e-mail your letter, DA Form 2028, or DA Form 2028-2 direct to Commander, U S Army Tank-automotive and Armaments Command, ATTN AMSTA-AC-NML, Rock Island, IL 61299-7630. The e-mail address is amsta-ac-nml@ria.army.mil. The fax number is DSN 793-0726 or Commercial (309) 782-0726.

This technical manual is an authentication of the manufacturers commercial literature and does not conform with the format and content specified in AR 25-30 Military Publications. This technical manual does, however, contain information that is essential to the operation and maintenance of the equipment.

Distribution Restriction: Approved for public release, distribution is unlimited

Title	Page
CHAPTER I INTRODUCTION	1-1
Section I Purpose and Function	1-3
Section II Capabilities	1-5
Section III Performance Characteristics	1-5
Section IV Equipment Specifications	1-11
Section V Power and Utility Requirements	1-24
Section VI Environmental Requirements	1-24
Section VII List of Items Furnished	1-24
Section VIII List of Items Required	1-24
Section IX Storage Data	1-24
Section X Tools and Test Equipment	1-25
Section XI Warranty Information	1-27
Section XII Safety Precautions	1-27
 CHAPTER 2 PREPARATION FOR USE	 2-1
 CHAPTER 3 GENERAL THEORY OF OPERATION	 3-1
 CHAPTER 4 OPERATION INSTRUCTIONS AND FUNCTIONS	 4-1
Section I Use of Operator's Controls and Indicators	4-3
Section II Initial Adjustments and Control Settings	4-10
Section III Start-up	4-17
Section IV Operation Under Normal Conditions	4-18
Section V Wire Rope Instructions	4-28
Section VI Operation Under Emergency or Abnormal Conditions	4-56
Section VII Shutdown	4-71
Section VIII Transportability	4-72
 CHAPTER 5 TYPE II SUPPLEMENT	 5-1
Section I Sectionalization	5-2
Section II Transportability	5-46
 APPENDIX A NEW EQUIPMENT PREPARATION	 A-1
 APPENDIX B LUBRICATION INSTRUCTIONS	 B-1
Appendix C References	C-1
Appendix D Components Of End Item and Basic Issue Item List	D-1
Appendix E Additional Authorization List	E-1
Appendix F Operator/Crew PMCS	F-1
 Index	 I-1

CHAPTER 1 INTRODUCTION

The purpose of this chapter is to introduce the operator to the LRT 110 Crane functions, capabilities, performance, data and specifications. A special section on safe operation of the equipment is also included at the end of the chapter.

Section	Title	Page
I	Purpose and Function	1-3
	General	1-4
	Major Component Nomenclature	1-4
II	Capabilities	1-5
III	Performance Characteristics	1-5
	General	1-5
	Engine	1-5
	Electrical System	1-6
	Transmission	1-6
	Torque Converter	1-7
	Wheels	1-7
	Axles	1-7
	Brakes	1-7
	Suspension	1-7
	Steering	1-7
	Hydraulic System	1-8
	Swing System	1-8
	Drawbar	1-8
	Pintle Hook	1-8
	Outriggers	1-9
	Boom	1-9
	Winch	1-9
	Boom Cylinders	1-9
	Counterweight	1-10
Decibel Level Chart	1-10	
IV	Equipment Specifications	1-11
	Weights	1-11
	Dimensions	1-11
	Capacities	1-15
	Capacity Chart Notes	1-16
	Load Ratings on Outriggers	1-19

Section	Title	Page
	Load Ratings on Tires	1-20
	Maximum Permissible Hoist Line Load	1-21
	Radius From Centerline of Rotation	1-22
	Working Area Diagram	1-23
V	Power and Utility Requirements	1-24
VI	Environmental Requirements	1-24
VII	List of Items Furnished	1-24
	Hook Block	1-24
	Cable	1-24
	Boom Angle Indicator	1-24
	Boom Length Markers	1-24
VIII	List of Items Required	1-24
IX	Storage Data	1-24
X	Tools and Test Equipment	1-25
XI	Warranty Information	1-27
XII	Safety Precautions	1-27
	Introduction	1-27
	General Warnings	1-27
	General Cautions	1-36
	Safety Decals	1-41
	Minimum Safety Requirements For Work Platforms Suspended From Load Line or Rigidly Mounted On Boom	1-42

Section I
Purpose and Function

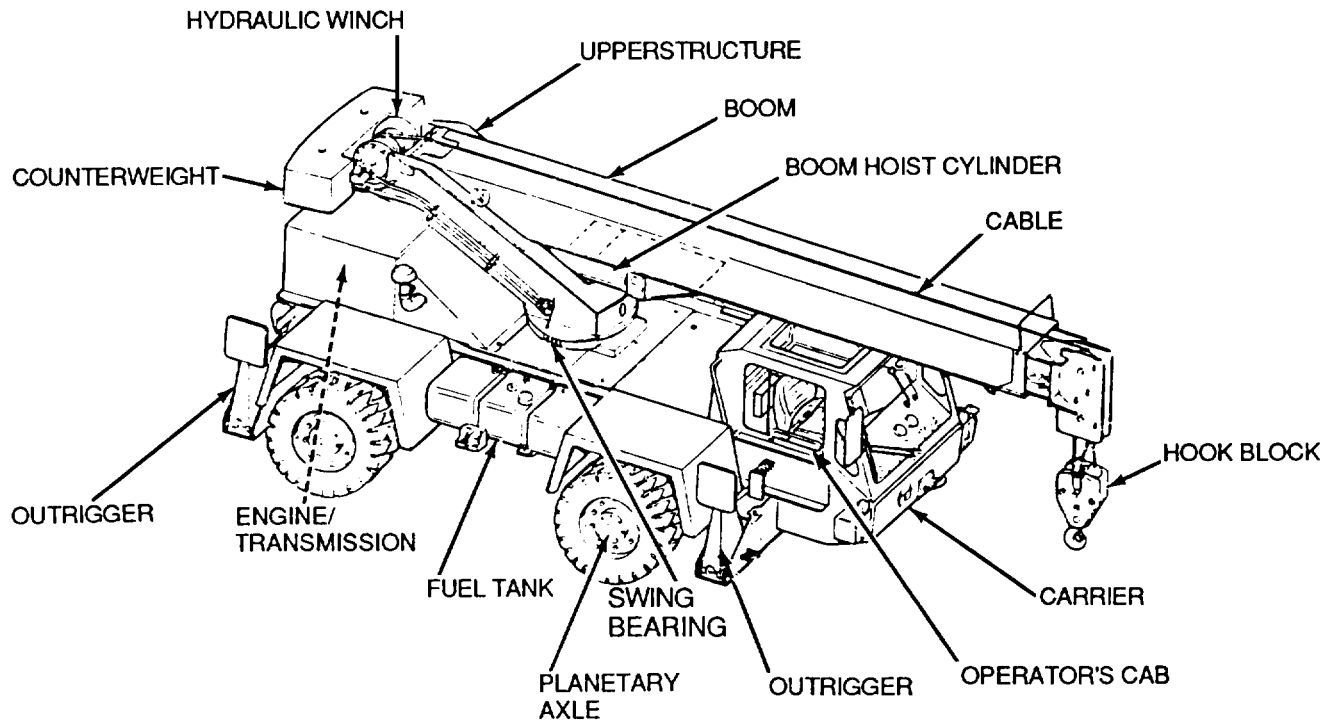


Figure 1-1. Major Component Locations (Left Side)

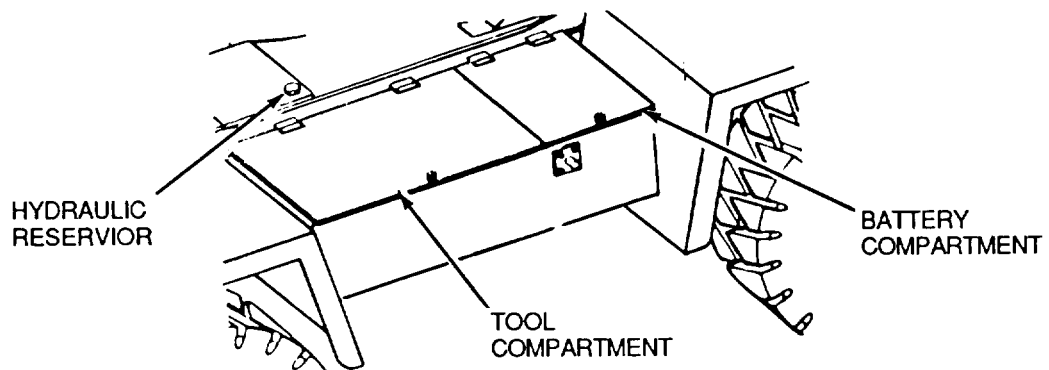


Figure 1-2. Major Component Locations (Right Side)

General

The purpose of this manual is to familiarize operators with the operation and maintenance of the LRT 110 Crane. This manual provides information and data for operation and lubrication. The operator of the LRT 110 Crane must not attempt to operate the vehicle before he has obtained a thorough understanding of the manual contents.

The LRT 110 Crane is a wheel-mounted, self-contained, two- and four-wheel drive, two- and four-wheel steering crane. A diesel engine powers the LRT 110 Crane, driving through a powershift transmission with tandem pump hydraulic power for operation of the crane, outriggers, fully revolving upperstructure and steering system.

The LRT 110 Crane design meets all the applicable requirements of OSHA, EPA, PCSA Std. #4, ANSI B30.5 and the specified SAE Standards.

Major Component Nomenclature

NOTE

All directional references in this manual (right or left, front or rear, etc.) correspond to the position of the operator when facing forward in operator's cab.

Upperstructure: The upperstructure includes the counterweight and hydraulic winch.

Boom Attachment: The boom attachment includes the crane boom, boom lift cylinder and hook block.

Carrier: The carrier includes the chassis, frame, engine, transmission, swing bearing, planetary axles, outriggers, operator's cab, fuel tank, hydraulic reservoir, batteries and tool compartment.